



# TRADE PRICELIST SECTION 7: TRANSPALINK CLEAR SYSTEM & GRILLES



## Portico Products

Lath Lane  
Smethwick  
West Midlands  
B66 1EA

telephone: 0121 553 7222

fax: 0121 553 3577

email: [sales@porticoproducts.com](mailto:sales@porticoproducts.com)

website: [www.porticoproducts.com](http://www.porticoproducts.com)



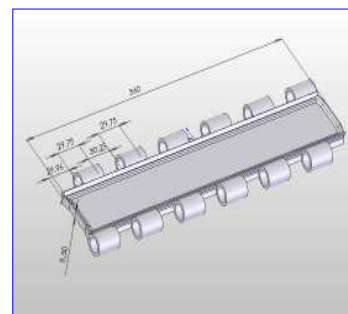
### NOTES:

- All prices are nett GBP ex works plus carriage\* plus VAT
- All orders are subject to our standard terms & conditions as laid out in our TRADE PRICELIST SECTION 10 and available on request
- If you can't see the item you want, please call our sales department - as well as stocked items we have access to a huge range of products bought in to order
- Quantity discounts refer to the Unit of Sale for that item - eg: the 5+ price for an item priced in 1000s means that to buy at that price you would need to buy 5000+ pcs, the 10+ price for an item priced per metre means that to buy at that price you would need to buy 10+ mtrs
- Quantity discounts are awarded on an order by order basis, however some may be available for call-off orders - please ask our sales team for details

\*carriage and packing as laid out in our TRADE PRICELIST SECTION 10

## TRANSPALINK TRANSPARENT SHUTTER SYSTEM

		LENGTH	1+	500+	1000+
<b>TPLINK</b>	Transparent link		2.44	2.35	2.27/ea
<b>TPTUBE</b>	Aluminium tube (link connector)	8.0	1.24	1.18	1.12/mtr
<b>TPCAP</b>	Black plastic endcap (endlock)		0.40	0.38	0.36/ea
<b>TPSPA</b>	Black plastic spacer for cut links		0.30	0.29	0.28/ea
<b>TPCONA</b>	Lath converter A for steel laths (NOTE THIS ITEM IS ALUMINIUM)		0.42	0.40	0.38/ea
<b>TPJOIN</b>	Joining fitment to save on tube scrap		0.48	0.45	0.44/ea
		LENGTH	1+	5+	10+
<b>TPGUIDE</b>	90mm galv. steel guide c/w brushstrips	9.0	95.22	94.00	93.11/len
<b>TPBRA</b>	Anodised aluminium bottom rail c/w seal	6.0	119.10	115.50	111.90/len



## TRANSPALINK TECHNICAL INFORMATION

<b>LINK DIMENSIONS:</b>	360mm wide x 85mm working height
<b>LINKS / SQUARE METRE:</b>	32.7 (35)
<b>BOTTOM RAIL HEIGHT:</b>	85mm (working height including rubber)
<b>GUIDE DEPTH:</b>	90mm Steel
<b>ALUMINIUM TUBE:</b>	16mm o/d, 7m lengths
<b>WEIGHT OF CURTAIN:</b>	9.5kg/m <sup>2</sup>
<b>COIL TUBE REQUIREMENT:</b>	4" minimum
<b>MAXIMUM RECOMMENDED DIMENSIONS:</b>	6000mm wide and 4000mm high

### PLATE SIZES:

	Using 4" tube	Using 5" tube
<b>OPENING HT/mm</b>		
2000	14"	14"
2500	14"	15"
3000	14"	15"
3500	15"	16"
4000	15"	16"

### CUT SIZE CALCULATIONS:

<b>Thickness of endcaps:</b>	3mm
<b>Thickness of guide wall:</b>	3mm
<b>Therefore calculation is:</b>	<b>BOG - ((2x3)+(2x3)+clearance*)</b>

#### For example

A door with 3000mm BOG dimension would give:

$$3000 - ((2 \times 3) + (2 \times 3) + (2 \times 6))$$

$$3000 - (6 + 6 + 12)$$

$$3000 - 24 = 2976\text{mm}$$

\*NOTE what clearance to leave is up to you the manufacturer, but we would suggest between 5 and 10mm

Please use the grid opposite to simplify your quotation process. Parts included for are:

- Links
- Link Connecting Tubes
- Bottom Rail c/w seal
- Plastic Endcaps & Spacers

All other parts should be added using the prices above and referring to other sections of our TRADE PRICELIST. (for example made up motorised roller barrels are in SECTION 1: ELECTRICAL / ELECTRONIC PARTS)



## TRANSPALINK CURTAIN PARTS ONLY PRICING GRID

Please use the grid below to simplify your quotation process. Parts included for are:

- Links
- Link Connecting Tubes
- Bottom Rail c/w seal
- Plastic Endcaps & Spacers

All other parts should be added using the prices on page 7.2 in this section and referring to other sections of our TRADE PRICELIST. (for example made up motorised roller barrels are in SECTION 1: ELECTRICAL / ELECTRONIC PARTS)

LINKS WIDE	3	4	5	6	7	8	9	10	11	12	13	14	15	16	17	18	19
CUT CURTAIN WIDTH	1080	1440	1800	2160	2520	2880	3240	3600	3960	4320	4680	5040	5400	5760	6120	6480	6840
LINKS GUIDE																	
HIGH HEIGHT																	
17	1445	240	316	451	542	602	661	806	866	926	986	1046	1106	1165	1225	1285	1345
19	1615																
21	1785	285	371	456	527	635	706	776	866	926	1087	1157	1228	1368	1439	1509	1579
23	1955																
25	2125	329	425	529	610	729	810	891	1087	1167	1248	1329	1410	1571	1652	1733	1813
27	2295																
29	2465	366	480	594	686	823	914	1005	1227	1318	1409	1501	1592	1774	1865	1956	2048
31	2635																
33	2805	410	535	660	761	917	1018	1120	1367	1469	1571	1674	1774	1977	2078	2180	2282
35	2975																
37	3145	455	590	733	845	1010	1122	1234	1508	1620	1732	1844	1956	2180	2292	2404	2516
39	3315																
41	3485	491	645	798	920	1104	1227	1349	1648	1771	1893	2015	2138	2383	2505	2627	2750
43	3655																
45	3825	536	699	863	996	1198	1331	1464	1789	1921	2054	2187	2320	2585	2718	2851	2984
47	3995																
49	4165	580	754	936	1079	1292	1435	1578	1929	2072	2215	2359	2502	2788	2932	3075	3218
51	4335																
53	4505	617	809	1001	1155	1385	1539	1693	2069	2223	2377	2530	2684	2991	3145	3299	3452
55	4675																
57	4845	661	864	1066	1230	1479	1643	1807	2210	2374	2538	2702	2866	3194	3358	3522	3686
59	5015																
61	5185	706	919	1139	1314	1573	1747	1922	2350	2524	2699	2873	3048	3397	3571	3746	3920
63	5355																
65	5525	742	973	1205	1389	1667	1851	2036	2490	2675	2860	3045	3230	3600	3785	3970	4155
67	5695																
69	5865	787	1028	1270	1465	1760	1956	2151	2631	2826	3021	3217	3412	3803	3998	4193	4389

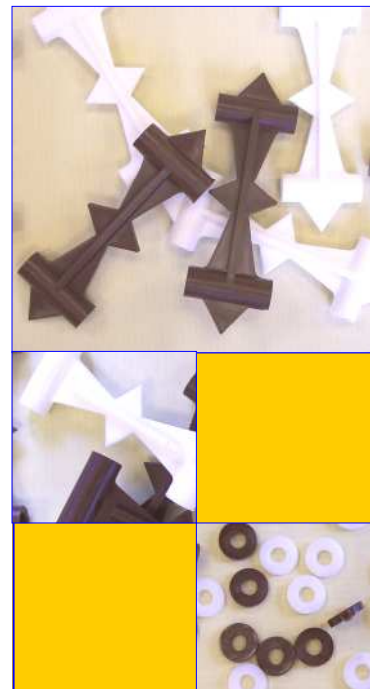
NB THE RECOMMENDED MAXIMUM SIZE FOR TRANSPALINK SHUTTERS IS 6000mm W X 4000mm HIGH. GRID PRICES OUTSIDE THIS AREA ARE FOR INFORMATION ONLY

\*NOTE THAT CUT WIDTHS OVER 6000mm WILL MEAN THAT THE BOTTOM RAIL SECTION WILL NEED TO BE JOINED

## PLASTIC GRILLE LINKS

		1+	250+	1000+
<b>GRLINKP-M</b>	<b>Plastic Main Link</b> Available from stock in <b>WHITE, BLACK, BROWN*</b>	96.00	91.00	86.00/1000
<b>GRLINKP-TB</b>	<b>Plastic Top/Bottom Link</b> Available from stock in <b>WHITE, BLACK, BROWN*</b>	106.00	102.00	96.00/1000
<b>WASH1/4P</b>	<b>Plastic Rod Roller/Spacer Washer</b> Available from stock in <b>WHITE, BLACK, BROWN*</b>	58.00	54.00	51.00/1000

\*Please note that other colours are available for bulk orders



## TUBES & LINKS

		1+	500+	1000+
<b>GRTUBE438</b>	<b>Aluminium Tube 4.3/8" (111mm) long x 1/2" o/d</b>	116.00	112.00	104.00/1000
<b>GRTUBE312</b>	<b>Aluminium Tube 3.1/2" (89mm) long x 3/8" o/d</b>	106.00	104.00	99.00/1000
<b>GRTUBE3</b>	<b>Aluminium Tube 3" (76mm) long x 3/8" o/d</b>	90.00	89.00	84.00/1000
<b>GRTUBE2</b>	<b>Aluminium Tube 2" (51mm) long x 3/8" o/d</b>	71.00	66.00	63.00/1000
<b>GRLINK234</b>	<b>Aluminium Link 2.3/4"crs x 5/8" x 1/8"</b>	116.00	112.00	104.00/1000
<b>GRLINK2</b>	<b>Aluminium Link 2"crs x 1/2" x 1/8"</b>	71.00	66.00	63.00/1000
<b>GRTUBEST</b>	<b>Steel Tube 4.3/8" (111mm) long x 1/2" o/d</b>	193.00	189.00	181.00/1000
<b>GRLINKST</b>	<b>Steel Link 2"crs x 1/2" x 1/8"</b>	193.00	189.00	181.00/1000
<b>ROLLER5/16P</b>	<b>Plastic Rod Roller/Spacer BLACK</b>	85.00	83.00	79.00/1000



## ACCESSORIES

		1+	5+	10+
<b>VECAP</b>	<b>Post Locator/Endcap WHITE</b>	3.99	3.80	3.60/ea
<b>GRHINGE</b>	<b>Grille Attachment Hinge</b>	9.97	9.47	8.97/ea
	<b>LENGTH</b>	<b>1+</b>	<b>10+</b>	<b>50+</b>
<b>ROD1/4AL</b>	<b>1/4" o/d Aluminium Rod for Plastic Grilles</b>	4,5,6 0.80	0.76	0.72/ea
<b>ROD5/16AL</b>	<b>5/16" o/d Aluminium Rod for T &amp; L Grilles</b>	4,5,6 0.92	0.89	0.84/ea
<b>ROD5/16S</b>	<b>5/16" o/d Steel Rod for T &amp; L Grilles</b>	4,5,6 0.92	0.89	0.84/ea



**NOTE: FOR ALL GUIDES AND BOTTOM RAILS TO SUIT THESE SYSTEMS PLEASE REFER TO OUR TRADE PRICELIST SECTION 4: METAL SECTIONS**